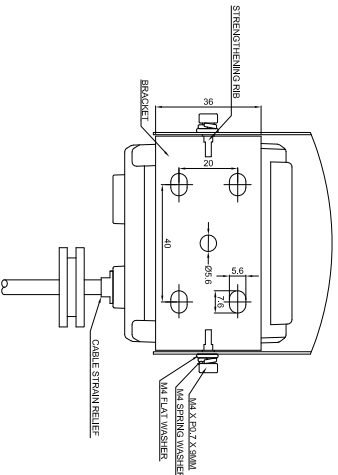
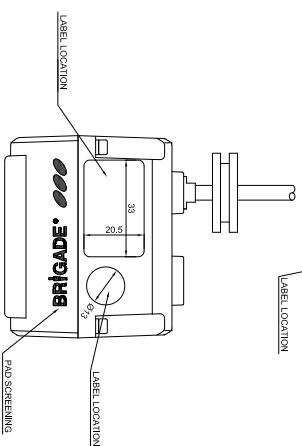
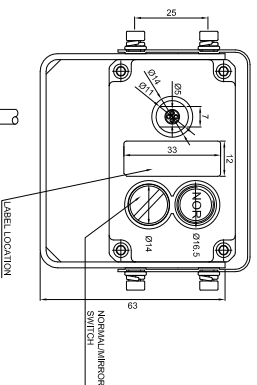
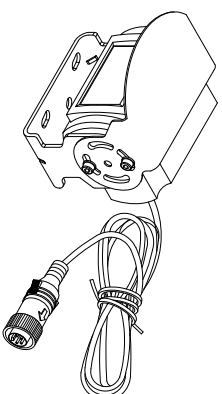
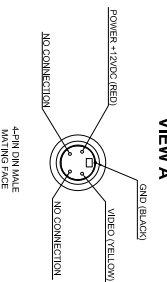
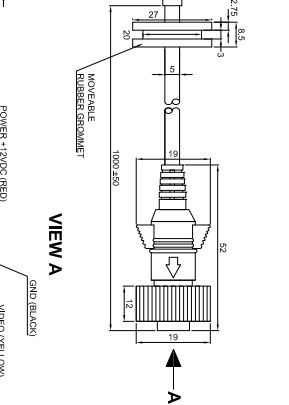
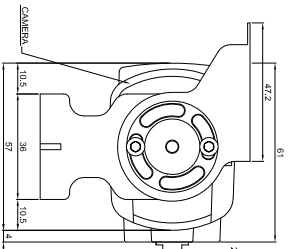
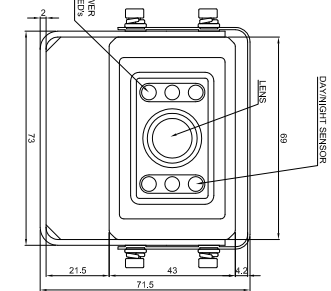
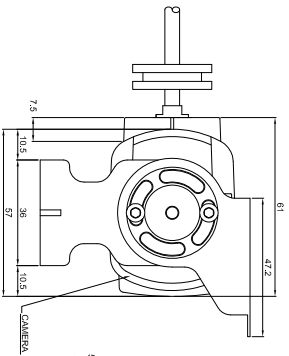
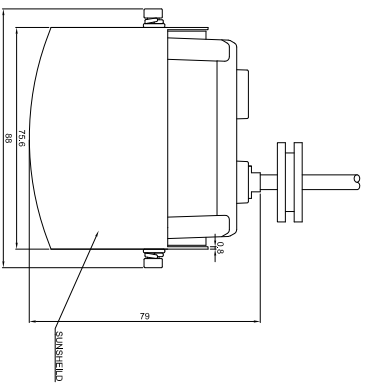


PART NO.	STOCK CODE	VARIANTS
BE-200C	#624	BLACK & WHITE (PAL)
BE-201C	#2086	BLACK & WHITE (NTSC)
BE-300C	#623A	COLOUR (PAL)
BE-300C(D)	#1589	COLOUR (PAL) 40"
BE-300C(F8)	#428	COLOUR (PAL) 78"
BE-301C	#1905	COLOUR (NTSC)
BE-301C(F8)	#2084	COLOUR (NTSC) 78"
BE-390C	#2871	COLOUR (PAL) NO AUDIO

ITEM	STOCK CODE	QTY	DESCRIPTION
1	(#3288)	1	BE-890C CAMERA ONLY
2	(#3246)	1	BE-890C CABLE
3	(#3247)	1	BE-842XXC BK
4	(#3247)	1	BE-842XXC BK
5	(#3245)	1	BE-842XXC SS



NOTES:

1. DIMENSIONS IN MM.
2. USE SELF AMALGAMATING TAPE TO ENSURE WATERPROOF CONNECTION.
3. REFER TO "PRODUCT SPECIFICATION" FOR MORE DETAILS

PROPRIETARY NOTICE
 THIS DESIGN AND TECHNICAL INFORMATION APPEARING ON THIS DRAWING IS THE PROPERTY OF BRIGADE ELECTRONICS P.L.C. AND IS DISCLOSED IN CONFIDENCE. IT IS NOT TO BE COPIED, REPRODUCED, REVEALED TO OR APPROPRIATE BY OTHERS, EITHER IN WHOLE OR IN PART WITHOUT THE EXPRESS WRITTEN CONSENT OF BRIGADE ELECTRONICS P.L.C.

Revno	Revision note	Date	Signature	Checked
1	MICROPHONE APERTURE REMOVED. PRODUCT UPDATED.	29/07/2009	SM	SM
2	ASSEMBLY PLANT REFERENCE NUMBER ADDED.		SM	DK

Itemref	Quantity	Title/Name, designation, material, dimension etc	Approved by - date	Filename	Date	Article No./Reference	Scale
M8UTLFR			SM/TRKKS	GM	17/02/09		
BRIGADE ELECTRONICS			BE-890C (#2871)				
			BE-000706-02-09				
			Edition A		Sheet 1/1		

ASSEMBLY PLANT REF: ECGZAMPPL-F-0083